

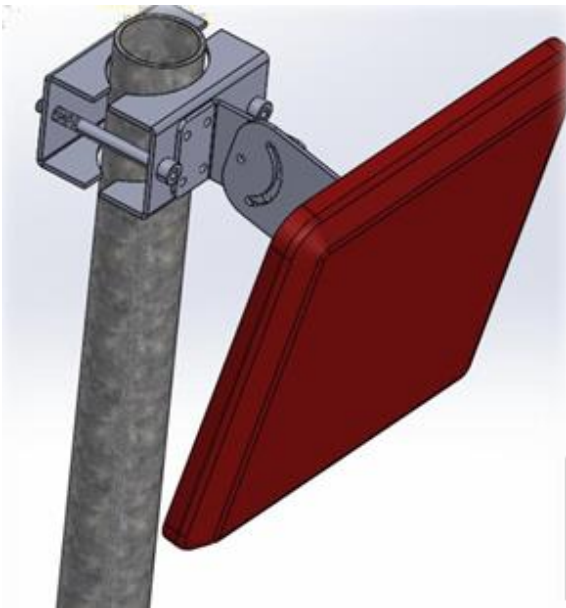


Your antenna design partner

860 MHz – 870 MHz RFID Panel Antenna

Datasheet

860 - 870MHz RFID Panel Antenna



BAND	860MHz - 870MHz
STANDARD	ISM
Frequency(MHz)	865 MHz Band
Max. VSWR	<1.41
Max. Return loss (dB)	<-15.39
Peak gain(dB)	8.9
Efficiency(%)	>90
Radiation properties	Directional
Max. input power	10W
Polarization	Circular
Impedance(ohms)	50

860 – 870MHz RFID Panel Antenna

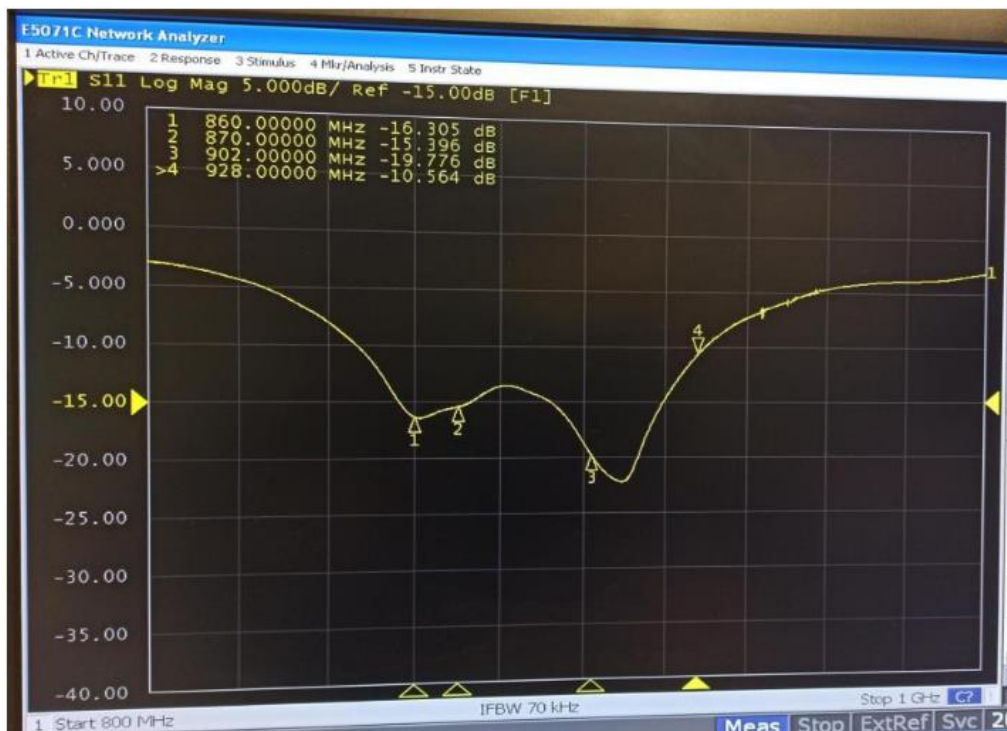
Features

1. Low profile with high gain
2. Maximum efficiency and performance across the entire frequency band
3. 254*254*25.4 mm size
4. IP67
5. Connector type: Rp-TNC/N or custom made

Applications

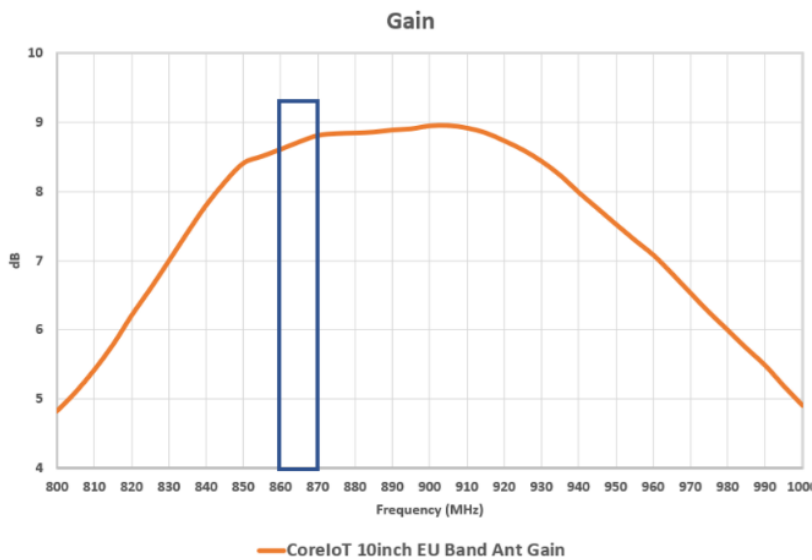
1. Access control
2. Fleet management
3. Warehouse management
4. Intelligent management of traffic

Return Loss



860 - 870MHz RFID Panel Antenna

Gain



Radiation Pattern

