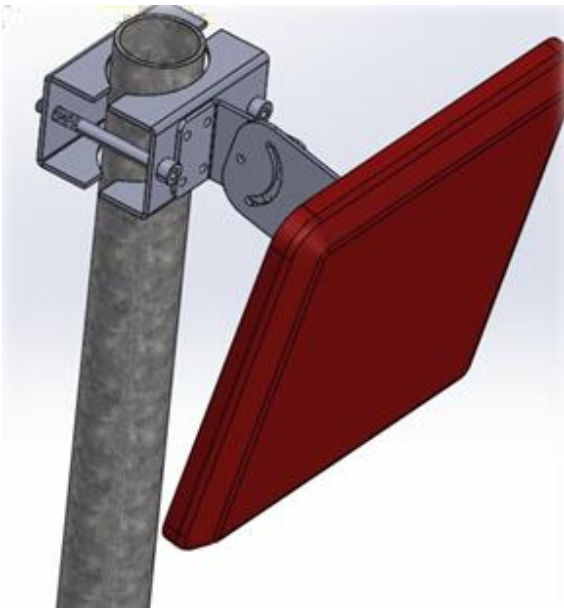




902 MHz – 928 MHz RFID Panel Antenna

902 - 928MHz RFID Panel Antenna



BAND	902MHz - 928MHz
STANDARD	ISM
Frequency(MHz)	915MHz Band
Max. VSWR	<1.74
Max. Return loss (dB)	<-11.76
Peak gain(dB)	8.68
Efficiency(%)	>90
Radiation properties	Directional
Max. input power	10W
Polarization	Circular
Impedance(ohms)	50

902 - 928MHz RFID Panel Antenna

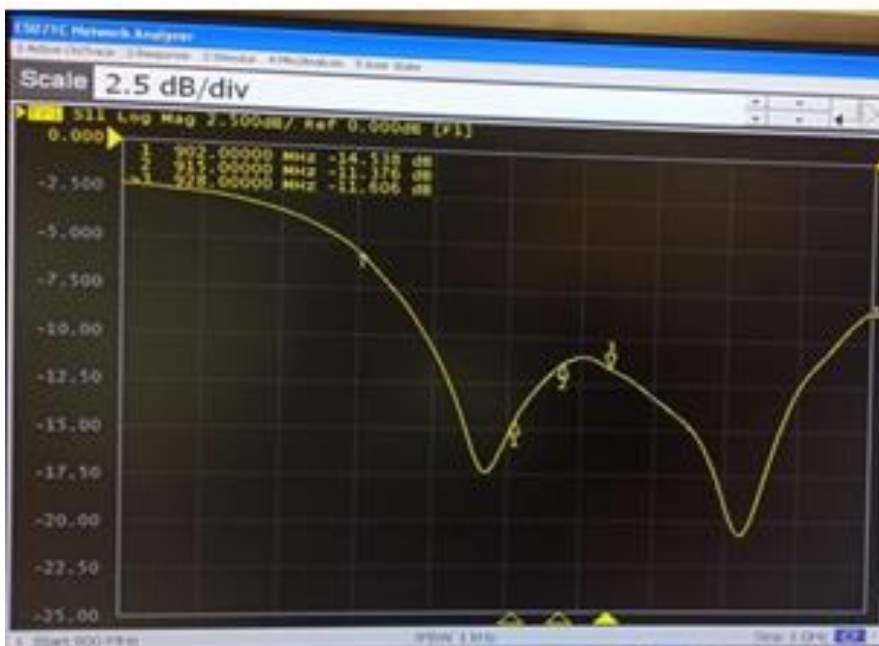
Features

1. Low profile with high gain
2. Maximum efficiency and performance across the entire frequency band
3. 254*254*25.4 mm size
4. IP67
5. Connector type: Rp-TNC/N or custom made

Applications

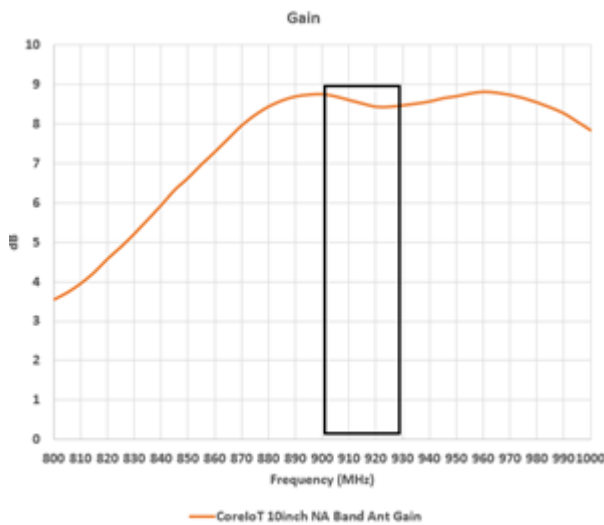
1. Access control
2. Fleet management
3. Warehouse management
4. Intelligent management of traffic

Return Loss

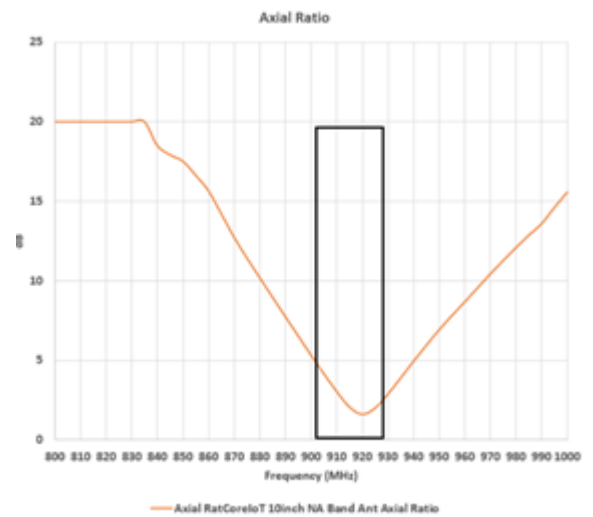


902 - 928 MHz RFID Panel Antenna

Gain



Axial Ratio



Radiation Pattern

